

**HUKX**

Sensor  
Technology

Brochure

Pyranometer mounting fixtures

**PMF series**

# PMF series

## Pyranometer mounting fixtures

Hukx offers an accessory range of practical brackets for mounting pyranometers. PMF series brackets allow for easy installation of Hukx pyranometers in all climates and weather conditions: on a vertical mast, a horizontal crossarm, a wall, a fence, in Plane of Array (POA) in single or dual setup, with ventilation unit or without.

With its small footprint, in particular when combined with small footprint pyranometers with housings similar to those of SR300-D1 and SR30-M2-D1, PMF01 reduces snow build-up; snow will simply drop off. Model PMF02 enables a setup of two pyranometers, one horizontal, the other in POA; ideal for PV monitoring. PMF01 and PMF02 are compatible with all Hukx pyranometers. With the ventilation mounting adapter VMA01, VU01 ventilated pyranometers can also be installed on PMF01.

Figure 1 PMF01 pyranometer mounting fixture.



## PMF01

The use of PMF01, compatible with all Hukx pyranometers, is easy. Its spring-loaded central bolt allows easy mounting and leveling of pyranometers.

## PMF02

PMF02 enables the setup of two pyranometers, of which one in POA, mounted to a surface or fence; ideal for PV system performance monitoring according to the latest IEC standards.

## VMA01 option for PMF01

VMA01 is a ventilation mounting adapter allowing installation of a VU01 ventilation unit with a suitable Hukx pyranometer on PMF01.

## Suggested use

- PV monitoring
- meteorological observations

## Advantages

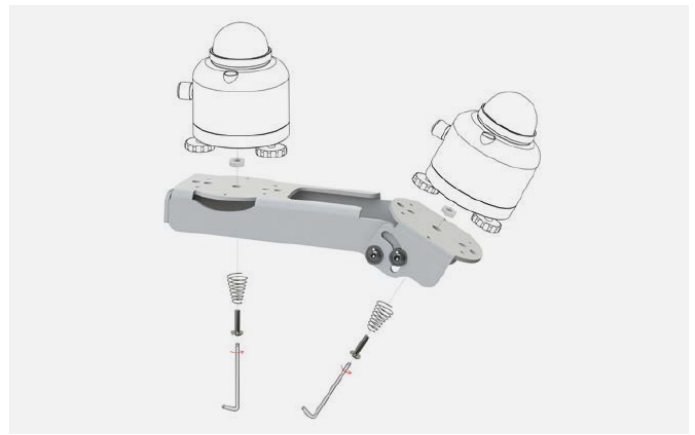
- quick installation
- easy leveling using spring-loaded bolt
- for mounting pyranometers on horizontal and vertical tubes, on platforms, both horizontal and in Plane of Array



Figure 2 PMF01 pyranometer mounting fixture can be used for easy installation of a pyranometer, in this case SR300-D1, in Plane of Array for PV system performance monitoring and meteorological applications.



**Figure 3 (top left)**  
PMF02 for mounting two pyranometers, one in POA.



**Figure 4 (top right)**  
The PMF series manual provides easy-to-use instructions on installations with PMF series brackets.

**Figure 5 (bottom right)**  
VMA01 mounting adapter enables mounting of a VU01 ventilated pyranometer on PMF01.



**Table 1** Overview of versions in PMF series.

<b>Versions of PMF series</b>	
<b>PMF01</b>	<b>pyranometer mounting fixture, for all Hukx pyranometer models, for 1 x pyranometer, horizontal or tilted</b>
<b>PMF02</b>	<b>dual pyranometer mounting fixture, for all Hukx pyranometer models, for 1 x horizontal and 1 x tilted pyranometer</b>
<b>VMA01</b>	<b>ventilation mounting adapter for PMF01, for 1 x VU01 ventilated pyranometer, horizontal or tilted</b>

## Other Hukx mounting options

There are other mounting options available for our sensors. They allow for simplified mounting, leveling and instrument exchange on a flat surface or a tube.



## See also

- [SR300-D1](#), [SR200-D1](#) and [SR100-D1](#) pyranometers
- [SR30-M2-D1](#) and [SR15](#) pyranometers with spring-loaded and tube leveling mount
- [SR05](#) with ball leveling and tube mount
- view our complete [range of solar sensors](#)

Figure 6 Alternative mounting options are offered.

## PMF series specifications

### PMF01

instrument compatibility SR300, SR200, SR100, SR30, SR25, SR22, SR20, SR15, SR12, SR11, or SR05 pyranometer; SR05 ball leveling

tube compatibility diameter 27 to 60 mm

tilt angles 0 to 90 °

material anodized aluminum

included parts  
 bracket;  
 1 x M6 central spring loaded bolt;  
 4 x M5 bolt;  
 2 x tube clamp

### PMF02

instrument compatibility 2 x SR300, SR200, SR100, SR30, SR25, SR22, SR20, SR15, SR12, SR11, and SR05 pyranometers; SR05 ball leveling

tilt angles 0 to 90 °

material anodized aluminum

included parts  
 bracket;  
 2 x M6 central spring loaded bolt;  
 8 x M5 bolt

### VMA01

instrument compatibility VU01 ventilated pyranometer + PMF01

material anodized aluminum

included parts  
 VMA01 mounting adapter plate;  
 2 x M5 bolt + nut

other parts needed  
 2 x M5 bolt + nut included with VU01

## About Hukx

Hukx is the leading innovator in solar radiation and heat flux sensor technology. We are proud to set the standard in high-accuracy measurement, and to be working at the heart of the energy transition.

Customers worldwide rely on our bestselling pyranometers and heat flux sensors. From sensor design and selection to supply and recalibration, we support you across the entire lifecycle.

Hukx is headquartered in the Netherlands, with locally owned representative sales offices in the USA, Brazil, India, China, Southeast Asia, and Japan.

Let us help you select the best sensor for your application. Get in touch with our experts today via: [info@hukx.com](mailto:info@hukx.com)

© Hukx

Version 2514

We reserve the right to change specifications without prior notice.

[www.hukx.com](http://www.hukx.com)

**HUKX**