

HUKX

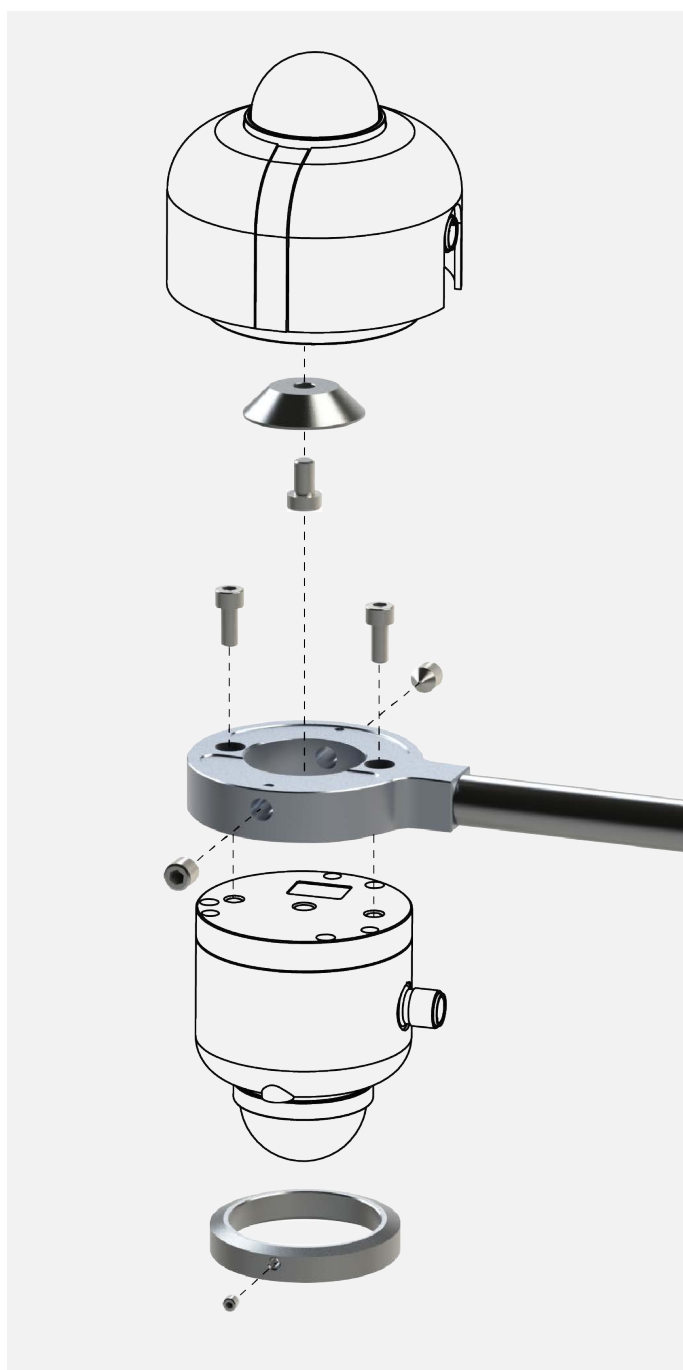
Sensor
Technology

Instruction sheet
AMF03

Albedometer mounting

Instruction for two pyranometers

Out of two pyranometers with housings similar to those of SR300-D1 and SR30-M2-D1 and one AMF03 albedometer mounting kit, you can construct an albedometer yourself. This instruction sheet shows you how. Included in the AMF03 kit are one glare screen and one fixture with rod. Mounting hardware and tools are also included. Use this instruction sheet to mount the components of your albedometer. Please consult the user manual of SR300-D1, SR200-D1, SR100-D1, SR30-M2-D1, SR15-A1 or the digital SR15 series for more information on the sensor and its use.



Tools required

- hex key nr. 2 (2 mm)
- hex key nr. 4 (4 mm)

Mounting and fixation steps 1 to 6

Mind the safety of the glass domes at each step!
Keep the dome protector installed when possible.

1. Remove the feet of both sensors.
2. Remove the sun screen from the downward-facing sensor.
3. Mount the downward-facing pyranometer (sensor with glare screen) to the fixture with rod using two M5x12 screws and a 4 mm hex key.
4. Fasten the conical positioner to the upward-facing pyranometer (sensor with sun screen) using one M6x8 screw and a 4 mm hex key.
5. Mount the upward-facing pyranometer (with its sun screen and conical positioner) to the fixture. Fasten with M8x12 screws using a 4 mm hex key.
6. Optionally: install the glare screen on the downward-facing sensor using a 2 mm hex key. You may also decide to mount the glare screen after transport and on-site installation, so that the dome protector can remain installed.

sensors	2 x	SR300, SR200, SR100, SR30, SR15
included	1 x	glare screen
with	1 x	AMF03 fixture with rod (diameter 15 mm)
AMF02	1 x	conical positioner
	2 x	M5x12 socket head cap screw
	1 x	M6x10 socket head cap screw
	2 x	M6x12 set screw

Figure 1 AMF series mounting.

About Hukx

Hukx is the leading innovator in solar radiation and heat flux sensor technology. We are proud to set the standard in high-accuracy measurement, and to be working at the heart of the energy transition.

Customers worldwide rely on our bestselling pyranometers and heat flux sensors. From sensor design and selection to supply and recalibration, we support you across the entire lifecycle.

Hukx is headquartered in the Netherlands, with locally owned representative sales offices in the USA, Brazil, India, China, Southeast Asia, and Japan.

Let us help you select the best sensor for your application. Get in touch with our experts today via: info@hukx.com

© Hukx

Version 2516

We reserve the right to change specifications without prior notice.

www.hukx.com

HUKX